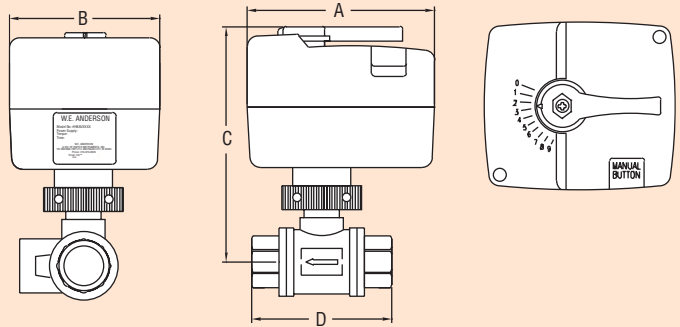




Series  
3HBAV

# Three-Way Detachable Electric Ball Valve

## Floating or Modulating, Position Indicator



Size	A in [mm]	B in [mm]	C in [mm]	D in [mm]	Weight lb [kg]
1/2"	3.62 [92]	3.03 [77]	4.53 [115]	2.68 [68]	1.43 [0.65]
3/4"	3.62 [92]	3.03 [77]	4.53 [115]	2.68 [68]	1.54 [0.70]
1"	3.62 [92]	3.03 [77]	4.72 [120]	3.23 [82]	2.09 [0.95]
1-1/4"	4.84 [123]	3.07 [78]	5.16 [131]	3.86 [98]	3.20 [1.45]
1-1/2"	4.84 [123]	3.07 [78]	5.16 [131]	4.13 [105]	3.31 [1.50]
2"	4.84 [123]	3.07 [78]	5.31 [135]	4.80 [122]	4.19 [1.90]

The Series 3HBAV is an electrical ball valve ideal for flow control in hot and cold water HVAC systems. These valves are typically used in conjunction with air conditioning systems, heating systems, water treatment and production industries. The 3HBAV is electrically driven open and/or closed via a bidirectional AC motor. The electrical valve offers a detachable actuator with position switches and indicator. The 3HBAV is available with modulating or floating actuators.

#### FEATURES

- Manual override
- Detachable actuator
- High Cv values

#### SPECIFICATIONS

**Service:** Compatible fluids.

**Body:** 3-way, NC.

**Line Size:** 1/2 to 2" NPT.

**End Connections:** Female NPT.

**Pressure Limits:** Max: 375 psi (25 bar); Close off: 87 psi (6 bar).

**Temperature Limit:**

Ambient: -22 to 158°F (-30 to 70°C);

Process: 23 to 122°F (-5 to 50°C).

**Wetted Materials:** Brass, SS, NBR, PTFE.

**Input:** Floating: 3-wire; Modulating: 4 to 20 mA (24 VAC power only).

**Power Requirements:** 120 VAC or 24 VAC, 50/60 Hz, single phase.

**Power Consumption:** Floating: 3 to 5 VA; Modulating: 4 VA.

**Electrical Connection:** 18 AWG.

**Cycle Time (per 90°):** 1/2 to 1": 45 s.; 1-1/4 to 2": 50 s.

**Enclosure Rating:** NEMA 1 (IP10).

**Housing Material:** Plastic, nylon, and polyoxymethylene.

**Weight:** See table.

Model	Cv	Size	Supply Voltage	Input	Model	Cv	Size	Supply Voltage	Input
3HBAV0212	4.5	1/2"	120 VAC	Floating	3HBAV0512	17.9	1-1/4"	120 VAC	Floating
3HBAV0214	4.5	1/2"	24 VAC	Floating	3HBAV0514	17.9	1-1/4"	24 VAC	Floating
3HBAV0224	4.5	1/2"	24 VAC	Modulating	3HBAV0524	17.9	1-1/4"	24 VAC	Modulating
3HBAV0312	7.0	3/4"	120 VAC	Floating	3HBAV0612	27.9	1-1/2"	120 VAC	Floating
3HBAV0314	7.0	3/4"	24 VAC	Floating	3HBAV0614	27.9	1-1/2"	24 VAC	Floating
3HBAV0324	7.0	3/4"	24 VAC	Modulating	3HBAV0624	27.9	1-1/2"	24 VAC	Modulating
3HBAV0412	11.2	1"	120 VAC	Floating	3HBAV0712	44.7	2"	120 VAC	Floating
3HBAV0414	11.2	1"	24 VAC	Floating	3HBAV0714	44.7	2"	24 VAC	Floating
3HBAV0424	11.2	1"	24 VAC	Modulating	3HBAV0724	44.7	2"	24 VAC	Modulating

USA: California Proposition 65

△ WARNING: Cancer and Reproductive Harm - www.P65Warnings.ca.gov